

Thales

Thales Elegance User Manual

Dear Client

Congratulations to your new Thales Elegance turntable. This unit allows analogue playback on the highest level because of compact design and careful engineering in every detail. Please follow this manual carefully step by step, for getting advantage of all possibilities offered by your new turntable.

Please take your time to assemble, install and adjust the Thales Elegance carefully. Your dealer will be ready to assist you. The Thales Elegance is a mechanical precision instrument. Please beware of using high forces or hits to this unit.

You will find actual information about our products on www.thales.swiss.



1 Unpacking Thales Elegance

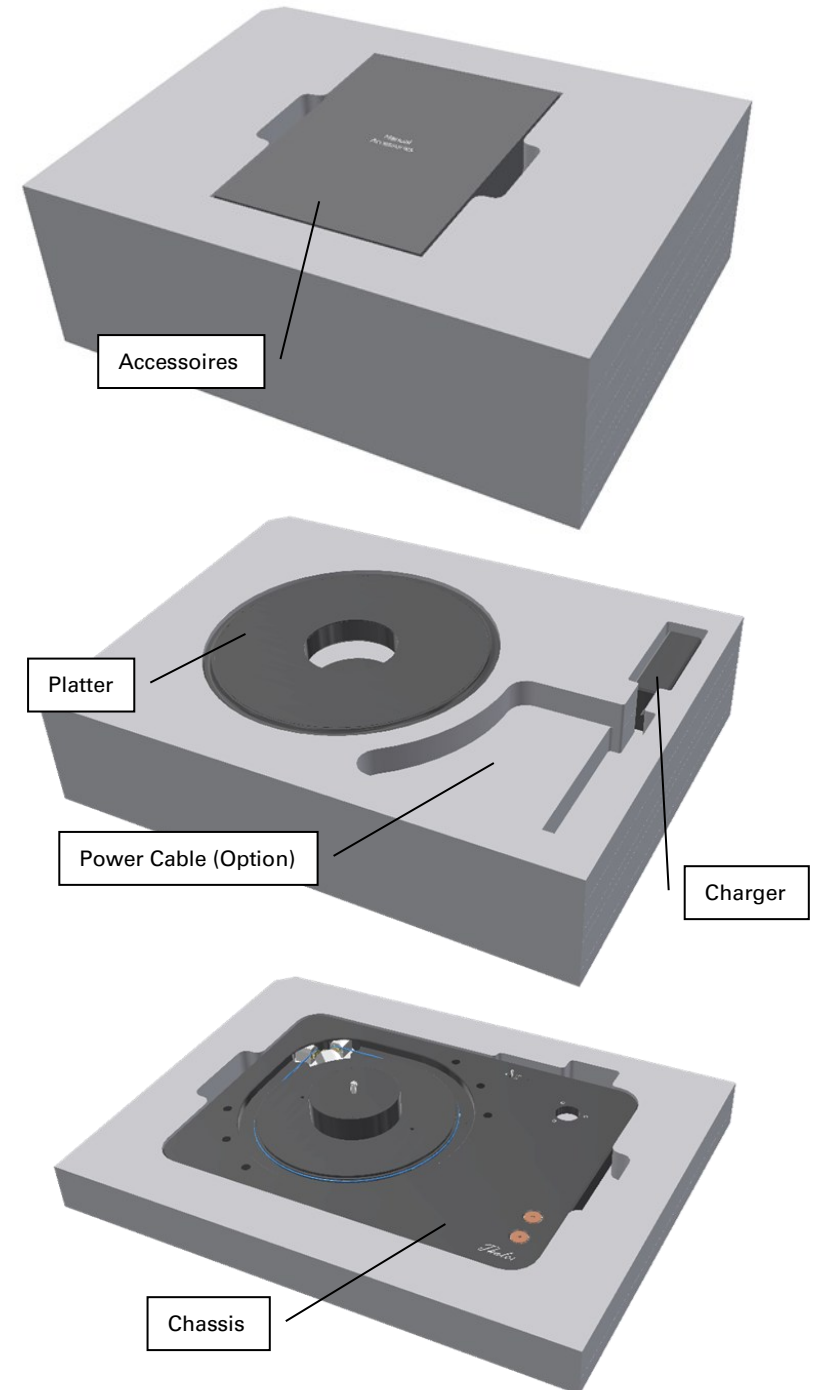
The packaging of the turntable consists of three layers. Please open the main packaging and unpack the accessories-box. The box contains:

1. User Manual
2. Torx-key to lock and unlock the transport protection
3. GND-cable
4. Spare belt
5. Cleaning-cloth for the platter mat

After taking out the upper layer completely, the second layer of the packaging will be visible. It contains the platter and the charger. Place these items carefully to the side, so they are ready to be used during installation of the turntable.

After taking out the second layer of the packaging, the last layer will be visible. This layer contains the main chassis of the Thales Elegance. Take out the chassis and place it horizontally on a suitable base.

When repacking the turntable again for transport, make sure to follow the procedure in reversed order.



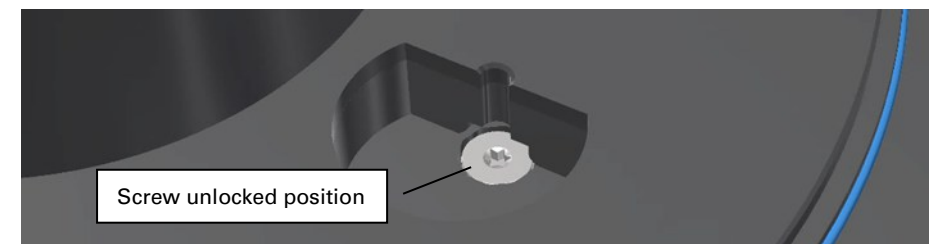
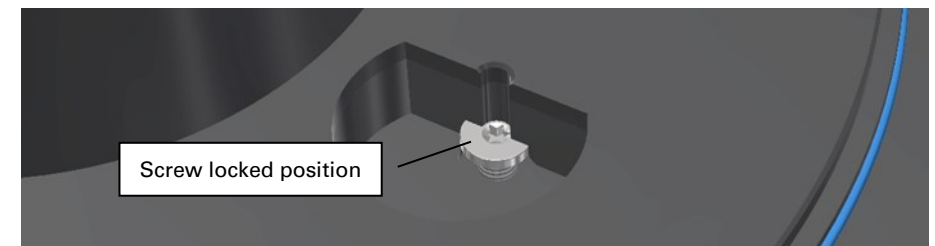
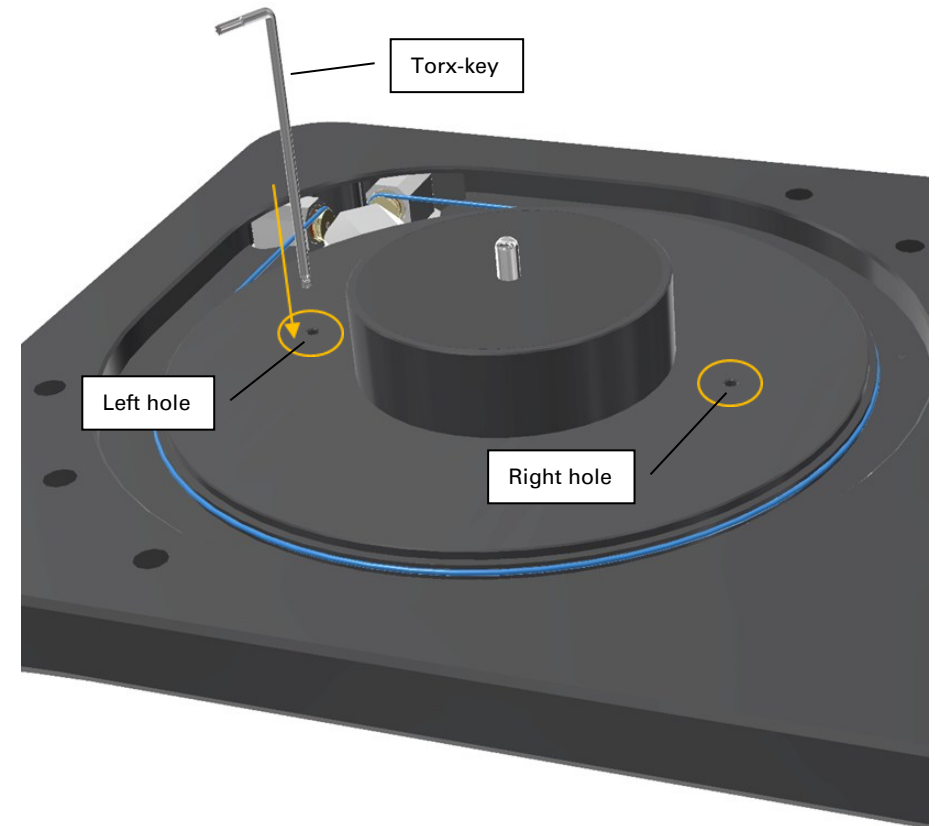
2 Transport Protection

The main bearing of the Thales Elegance must be locked during transport to prevent damages to the bearing caused by vibration. A locking mechanism allows to lift the sub-platter slightly and keep it in position. Release the transport protection, by the following steps:

1. Place the Torx-key as shown into the left hole
2. Fully tighten the screw underneath the sub-platter clockwise
3. Place the Torx-key into the right hole
4. Fully tighten the screw underneath the sub-platter clockwise

When repacking the turntable again for transport, make sure to follow the procedure below:

1. Rotate the sub-platter manually until the two holes are aligned parallel to the turntable's front surface
2. Place the Torx-key as shown into the left hole
3. Untighten the screw and turn it counterclockwise until noticeable resistance occurs
4. Gently continue turning the screw counterclockwise until the sub-platter is lifted to the upper end stop
5. Repeat the procedure for the right hole

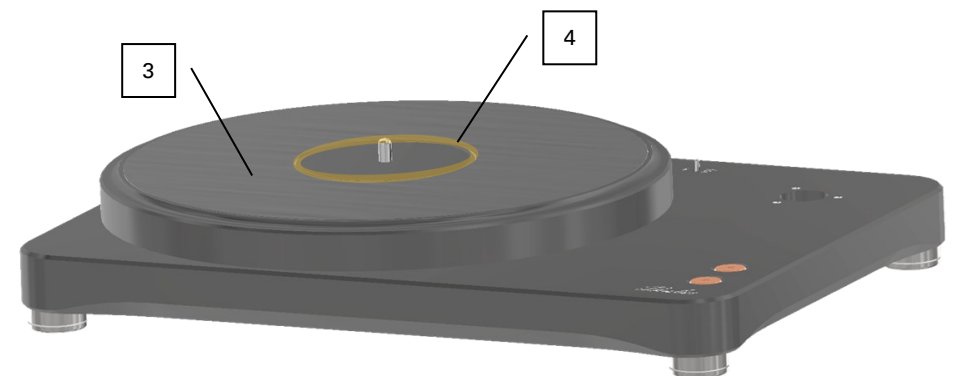
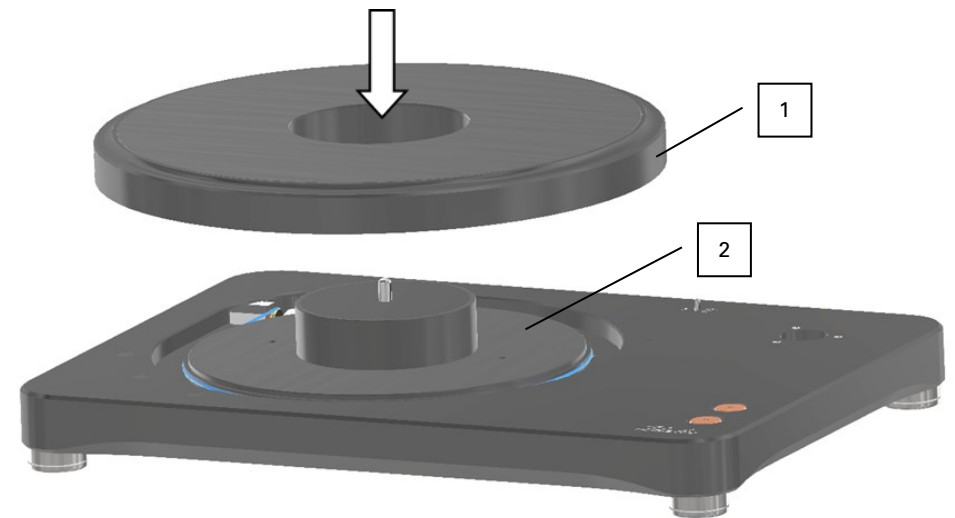


3 Install the Platter

The main platter (1) is bearing freely on the sub-platter (2). During assembling, please make sure to guide the main platter exactly vertically on the sub-platter. The main platter has an inlay of a specified high-density mat (3). Please take care on this mat for not destroying it during installation.

1. Guide the main platter (1) carefully from above on the sub-platter (2).
2. Make sure the main platter is bearing completely on the sub-platter.
3. If needed, dress the inlay-mat (3) around the centre (4) carefully, so the record will lay on an even surface.

When removing the platter for any reason, make sure to lift it exactly vertically and take care not to tilt it.



4 Prepare the Turntable

Tonearm

For mounting the tonearm on the chassis, please follow the manual of the tonearm itself carefully. The base-ring of the tonearm shall be fastened to the three mounting-bolts (1) of the chassis.

If the turntable is ordered as a package with the tonearm, the base-ring will be installed at the Thales manufactory already.

Set the level

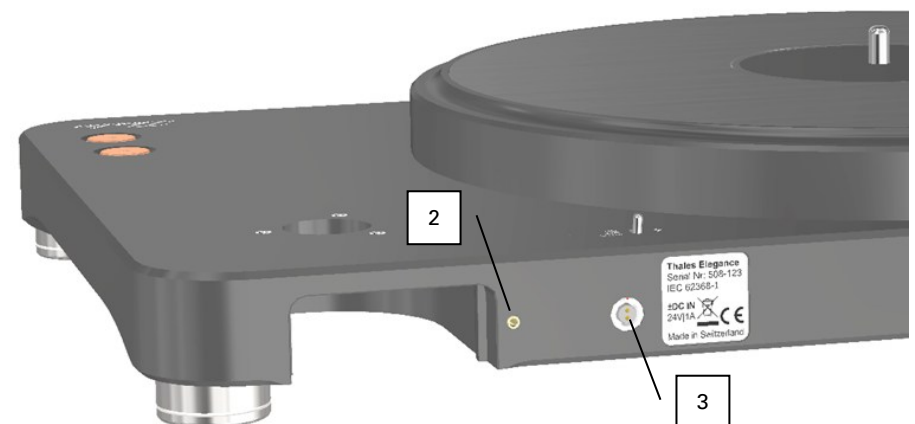
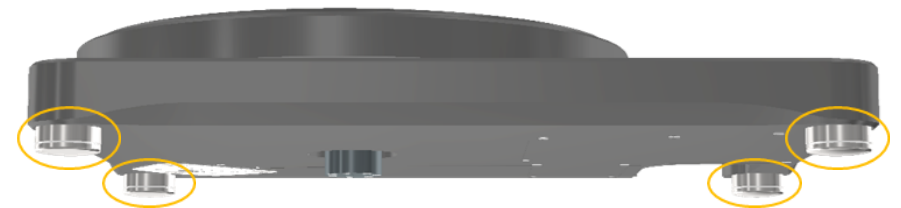
Place the unit on an even and horizontal base. The level of the Thales Elegance can be set by turning the four decoupling feet in and out of the main chassis. Please use a level gauge to level the unit exactly horizontally. Make sure at least one of the feet is tightened fully.

The feet are guided not only by a fine pitch thread but by a cylindrical fitting as well. Therefore, no locking of the spike is needed. The maximum range of adjustment is 5mm.

Interconnects

Connect the ground wire delivered with your turntable to the golden jack of the chassis (2) and connect it to the GND-terminal of your preamplifier. If the tonearm is connected and grounded by a DIN-cable, no separate ground-wire is needed.

Connect the external power supply with the power plant and with the fitting jack (3) of the Thales Elegance. The external charger can handle all usual input voltage worldwide.



5 Internal power supply

The Thales Elegance features an integrated Li-ion-accumulator, allowing more than 15 hours operation driven by the battery. The external power-supply is used to charge the battery. An integrated microprocessor controls all charging and discharging processes, as soon as the power-supply is connected to the device. There are three operating modes:

AUTO

Once the device is out of operation for more than one minute, the battery will get charged. Furthermore, if the battery level is very low, charging will start automatically while the turntable is in use. This setting is recommended.

OFF

The battery will never be charged, and the turntable is fully isolated from the power-supply. This mode is recommended only if unexpected interferences from the external power supply should occur.

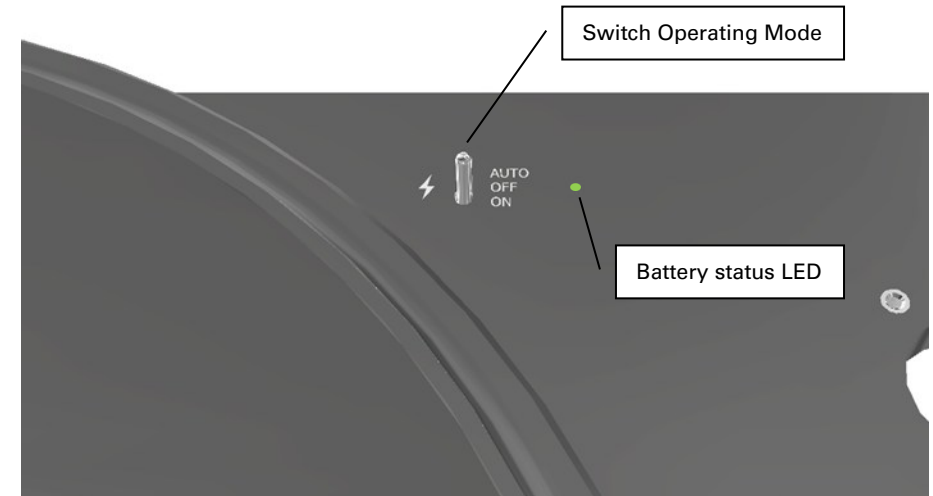
ON

The battery is being charged all time. This mode is recommended only if the device has been disconnected from the mains for long time.

Important notes:

The accumulators of the Thales Elegance do have no memory-effect. This means, you are free to charge them no matter what the actual charge state is. The battery can be recharged for at least 1'000 full cycles. The micro-processor of the device is handling the charging-management to expand the lifetime to the maximum.

The battery-pack can provide power up to 125 Watts. High energy could accidentally be set free by incorrect handling of the accumulator. Therefore, the battery must be exchanged by qualified professionals only.



Battery status LED

A two-colour LED shows the status of the battery-pack and the related charging process:

Red/Green flashing

The battery is being charged

Green glowing

The battery is fully charged, and the maximum charge level is hold by the external power supply.

Red glowing

The battery is low and requires charging within one hour latest.

Red blinking

The battery is very low and requires charging within 30 minutes latest. Please make sure the charger is connected properly and switch the operating mode to AUTO.

6 Drive Information

The Thales Elegance features a unique and innovative drive system with horizontal motor axis. The drive was developed based on the principle of an «endlessly free spinning platter» to meet the characteristics of human perception as close as possible. A high-precision quartz is used for speed-reference, no manual adjustment is required.

Eddy current brake

Six strong neodymium magnets are embedded in the chassis, slowing down the rotation movement of the aluminium platter significantly by the eddy current effect. Such braking effect is many times higher than the dynamic tracking forces of the stylus, so their influence on the drive becomes negligible. In this arrangement, the belt is constantly tensioned in one direction, preventing the drive from shuttling back and forth.

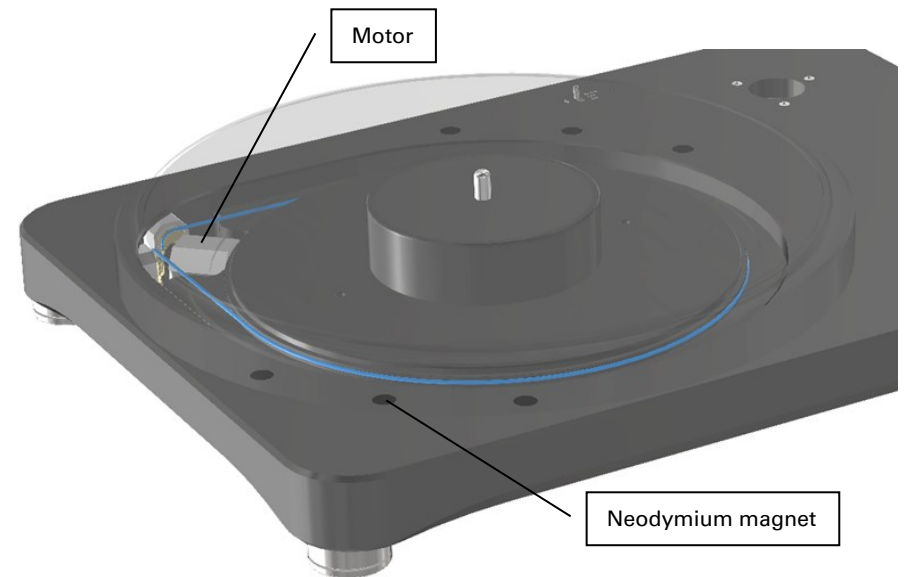
Open control loop

Unlike conventional control loops, the motor speed is not constantly monitored and actively corrected at short intervals, but operated via a simple, high-precision current limiter. The average speed of the platter is determined once per revolution by an optical sensor. If the average speed is within a narrow tolerance, no correction at all will be applied. If a deviation occurs, the current value is corrected accordingly. This technology offers incredibly good timing for all kind of music played on the Thales Elegance turntable.

Running-in procedure

After the turntable has been shipped or not being operated for more than two months, we recommend running the following procedure:

1. Connect the charger
2. Switch the operating mode to ON for one hour
3. Start the drive by pushing the button 33
4. Let the platter run for 24 hours
5. Switch the operating mode to AUTO



7 Operate the Drive

By pushing one of the buttons labelled with 33 and 45 you can start and stop the platter on the speed indicated. You might also change the speed from one value to the other without switching the drive off in between.

LED indicator

An LED indicator around each button shows the operation condition of the drive:

Red blinking

Start-up phase, platter speed is not constant

Red glowing

Platter speed is constant; its-value is audible out of the desired tolerance-field and will be corrected automatically

Green glowing

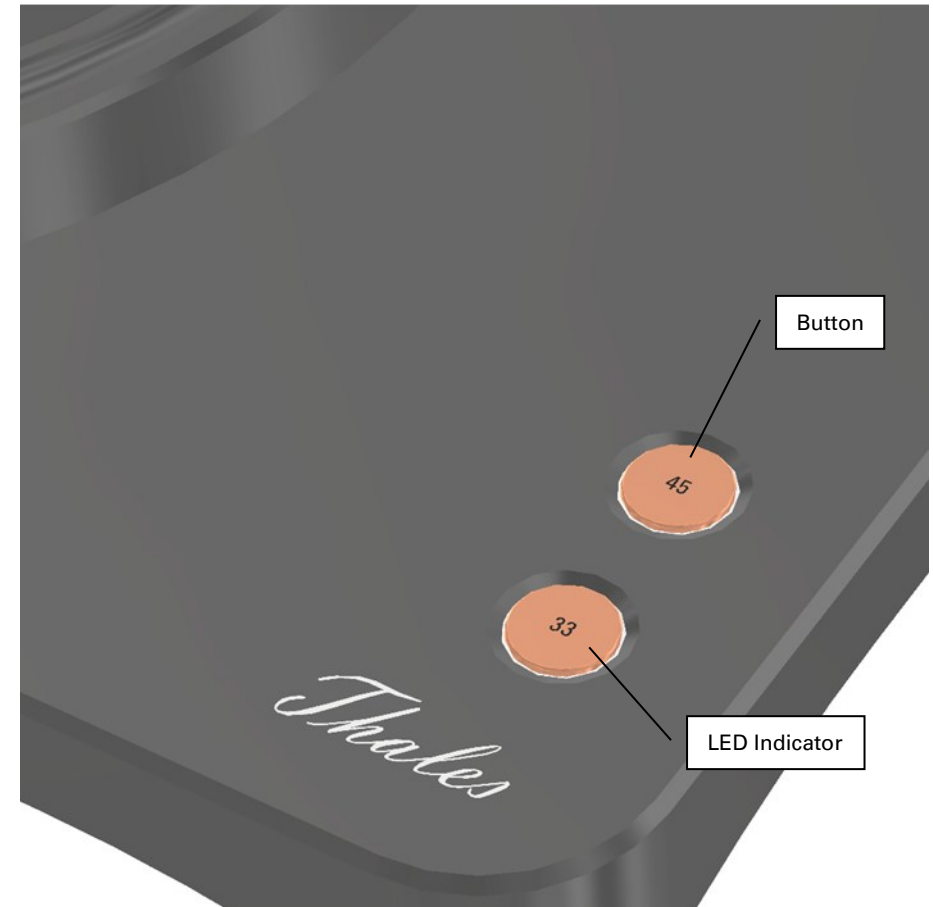
Platter speed is constant; its value remains perfect by applying corrective actions automatically from the electronics

White glowing

Platter speed is constant; its value remains perfect without applying any corrective actions from the electronics

8 Cleaning

For cleaning the Thales Elegance, please use a soft and clean microfibre cloth. The high-density inlay of the platter must be cleaned with the dedicated cleaning-cloth delivered with the turntable.



9 Factory Reset

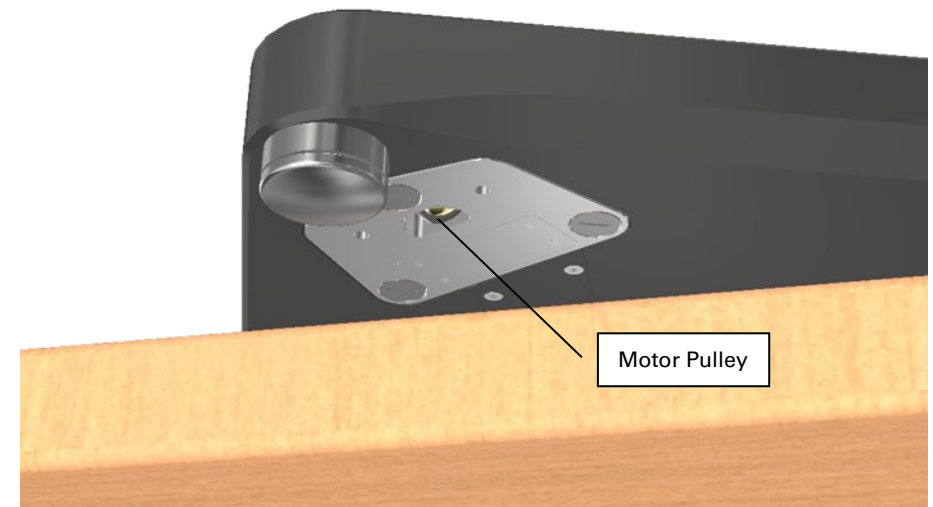
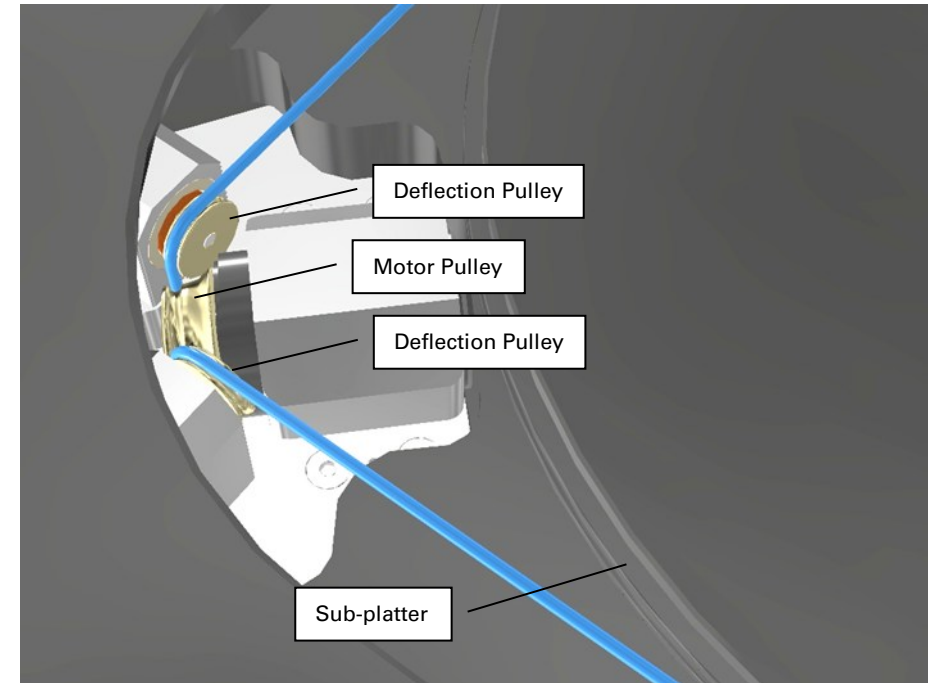
To reset all software of the device to their default values, press and hold both push buttons 33 and 45 simultaneously for more than three seconds. All LEDs of the device will glow for a second, and the turntable will be reset to factory conditions.

10 Replace the Belt

We recommend replacing the belt once a year or after 1'000 operating hours. One spare belt is delivered with the new turntable, and you can order replacement belts from Thales anytime. The maximum storage period for a new belt not in use is five years.

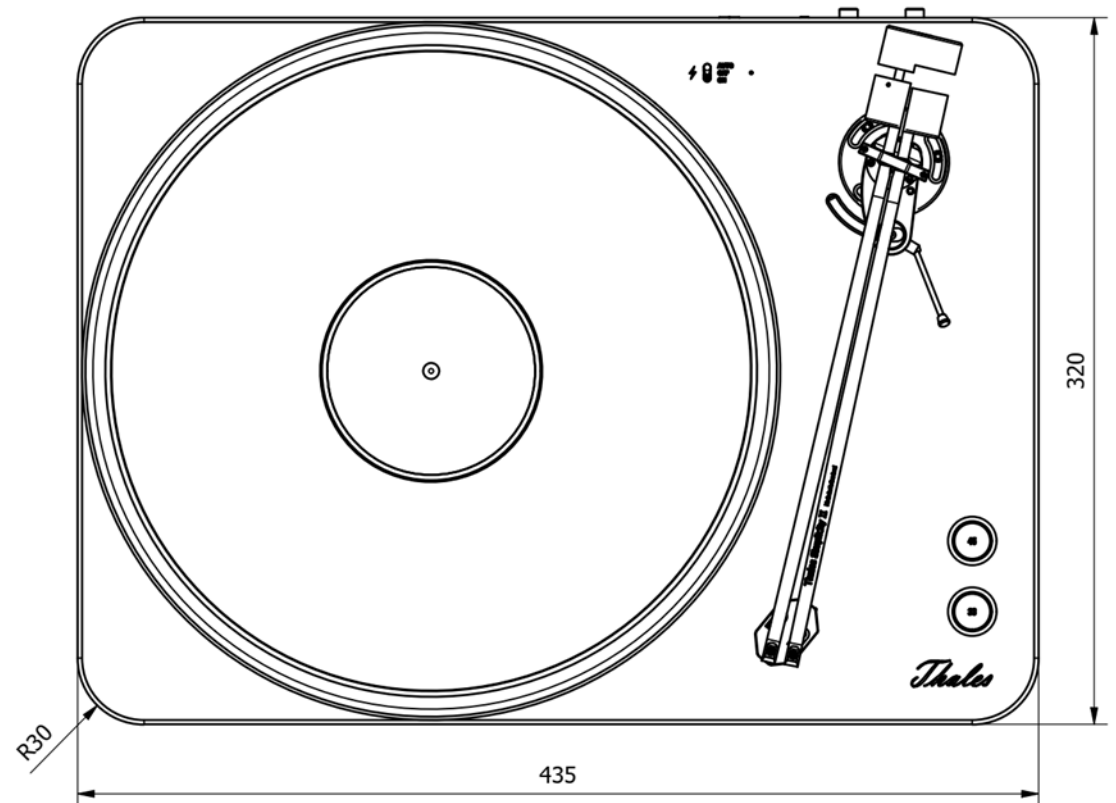
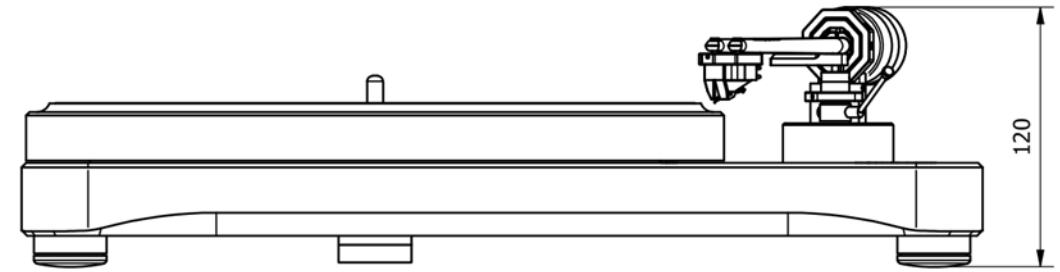
For replacing the belt, follow the procedure below:

1. Remove the platter. Make sure to lift it exactly vertically and take care not to tilt it.
2. Remove the old belt and dispose of it with regular waste.
3. Carefully move the device to the edge of a table for getting access to the motor-pulley from underneath the turntable chassis.
4. Insert the new belt from above and place it around the motor pulley.
5. Guide the belt around the two deflection pulleys and on the sub-platter.
6. Make sure the belt is correctly inserted into the designated guide surfaces of the three pulleys and the sub-platter.
7. Install the platter again. Refer to Page 5 of this manual.



11 Specifications

Platter Speed	33 $\frac{1}{3}$ rpm 45rpm (Quartz Reference)
Wow and Flutter	0,06% (IEC 386 weighted)
Rumble	-80dB (IEC 98 weighted)
Rumble	-60dB (unweighted)
Battery service life	16h 12h
Dimension	435x320x120mm
Weight	17kg
Input Voltage Charger	100...240VAC, 50...60Hz
Mounting distance tonearm	230mm



Available Accessories Products

- TTT-RCA-Terminal
- TTT-XLR-Terminal
- TTT-Cable-Holder
- Thales Silencer | Platter Clamp

Thales Spare Parts

- Belt Thales Elegance
- TTT-Battery 18V

Version: V1.2 / 06.02.2026