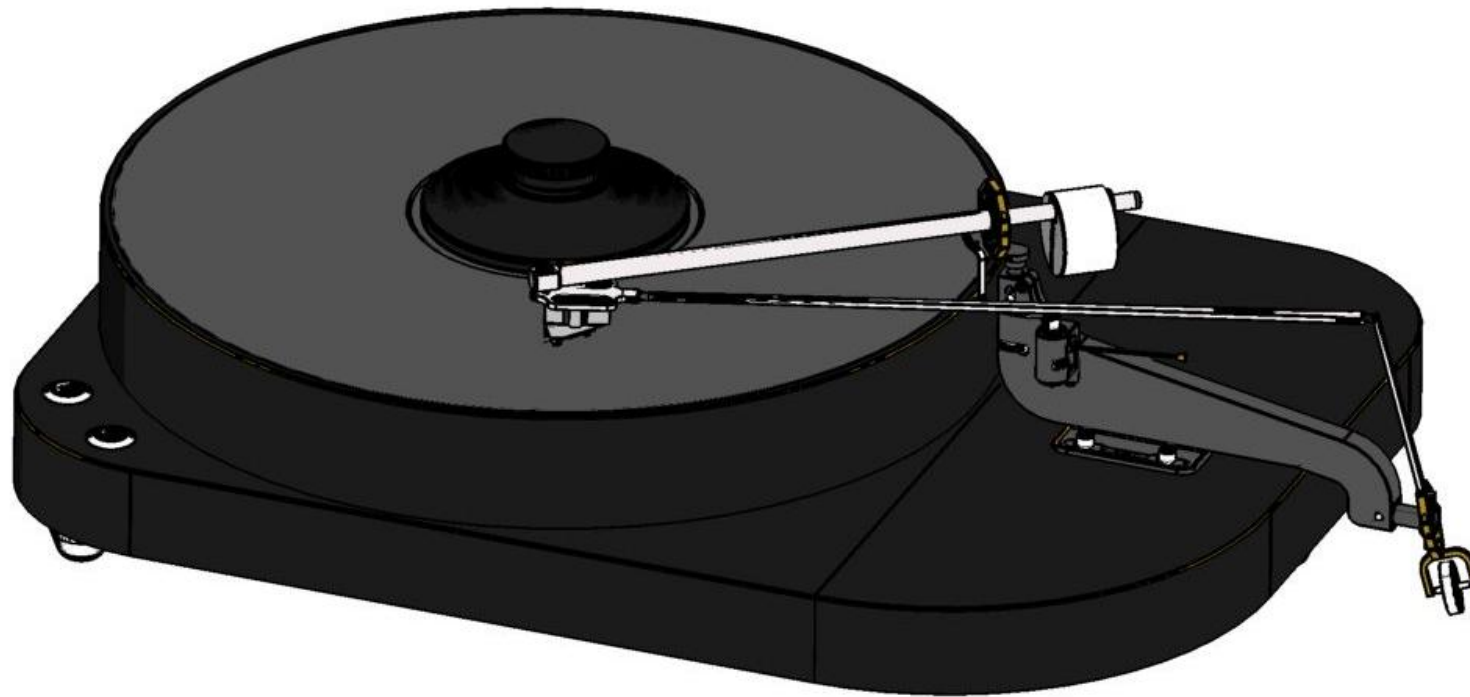


Short Manual Installation TTT



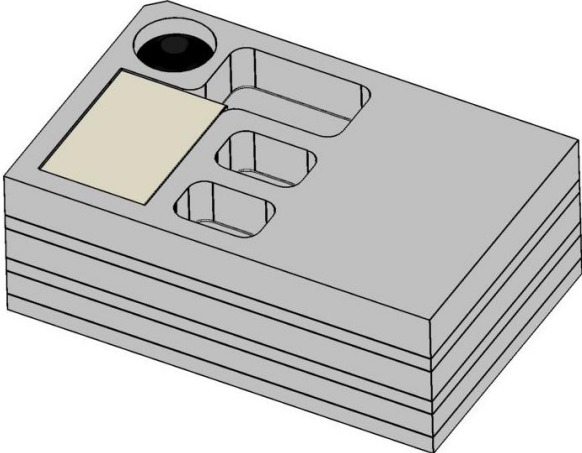
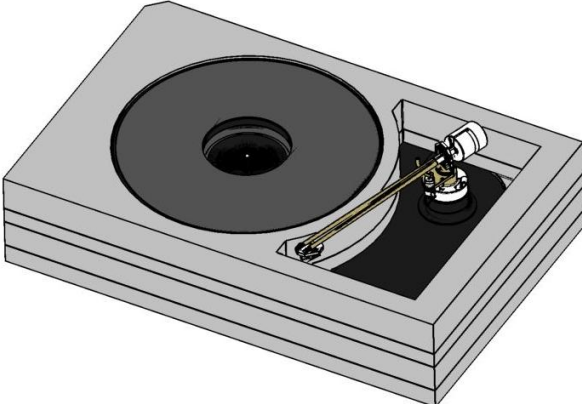
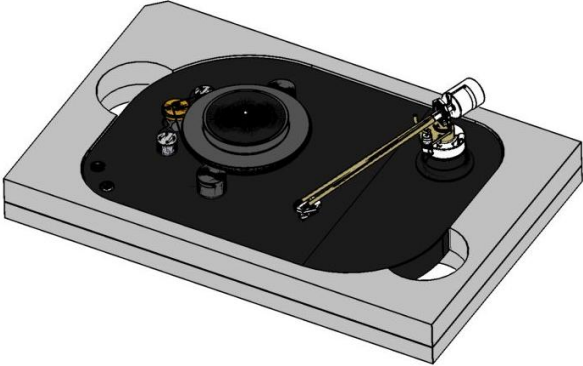
1. General notes TTT
 2. Unpacking
 3. Release transport lock
 4. Install the platter
 5. Set the level
 6. Install the tonearm
-

1. General notes TTT

- Please use a local cable to connect the drive unit to the electricity network.
- The speed has been pre-adjusted using professional measurement equipment with a reference frequency. If you want to re-adjust the speed, please only use the custom-made screwdriver delivered with the TTT.
- The clamp uses a spring loaded mechanism to make sure the record is not pressed on the platter with high forces. This means, you can tighten the clamp to the arresting point for best result.

2. Unpacking

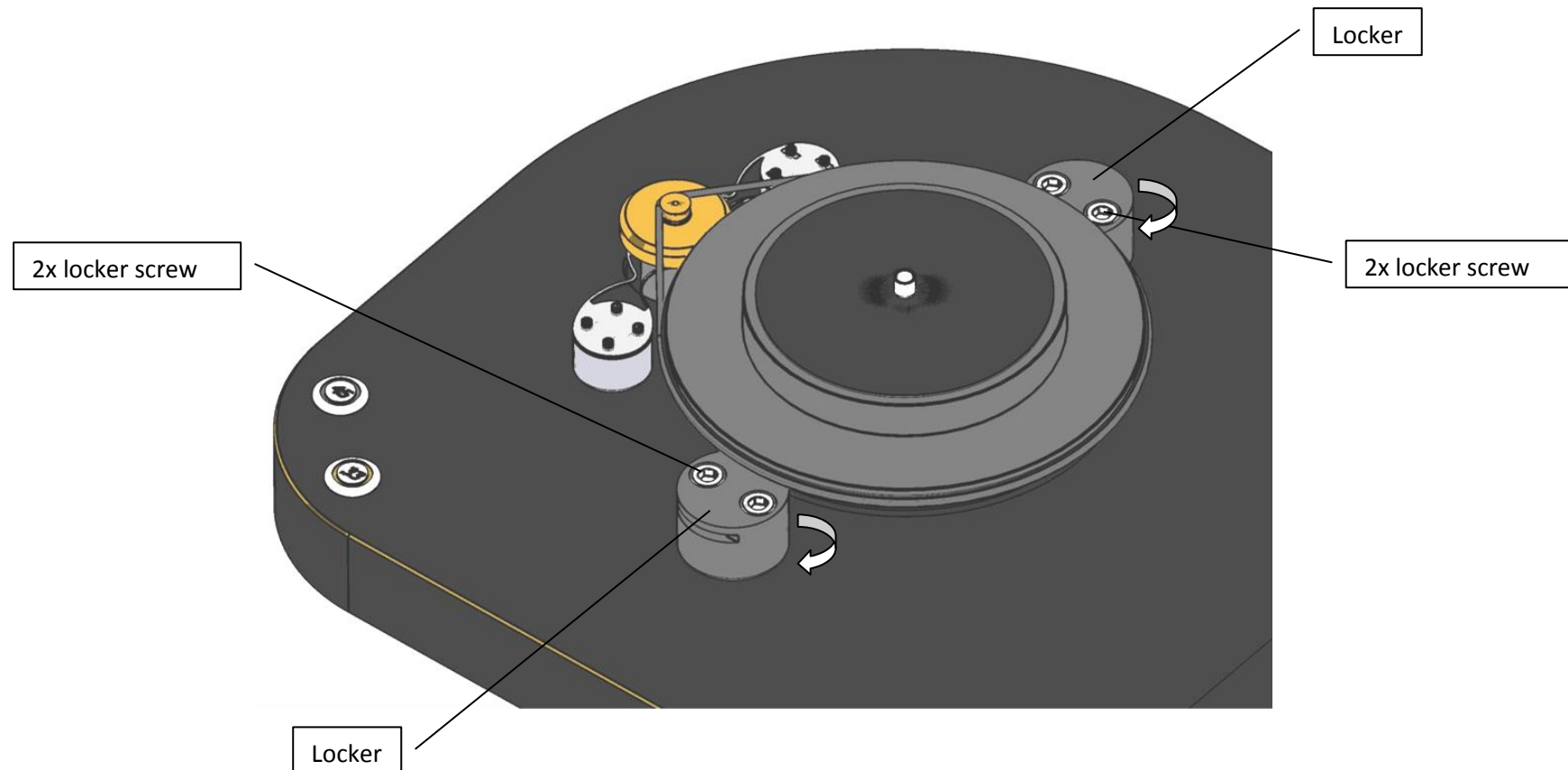
The package consists of three layers. Please take out all items of one layer before taking out the layer completely. Please always use the original packaging for any transport of the TTT.

Layer 1	Layer 2	Layer 3
		
<p>-Clamp -Drive-Unit -Accessories</p>	<p>-Platter</p>	<p>-Chassis</p>

3. Release the transport lock

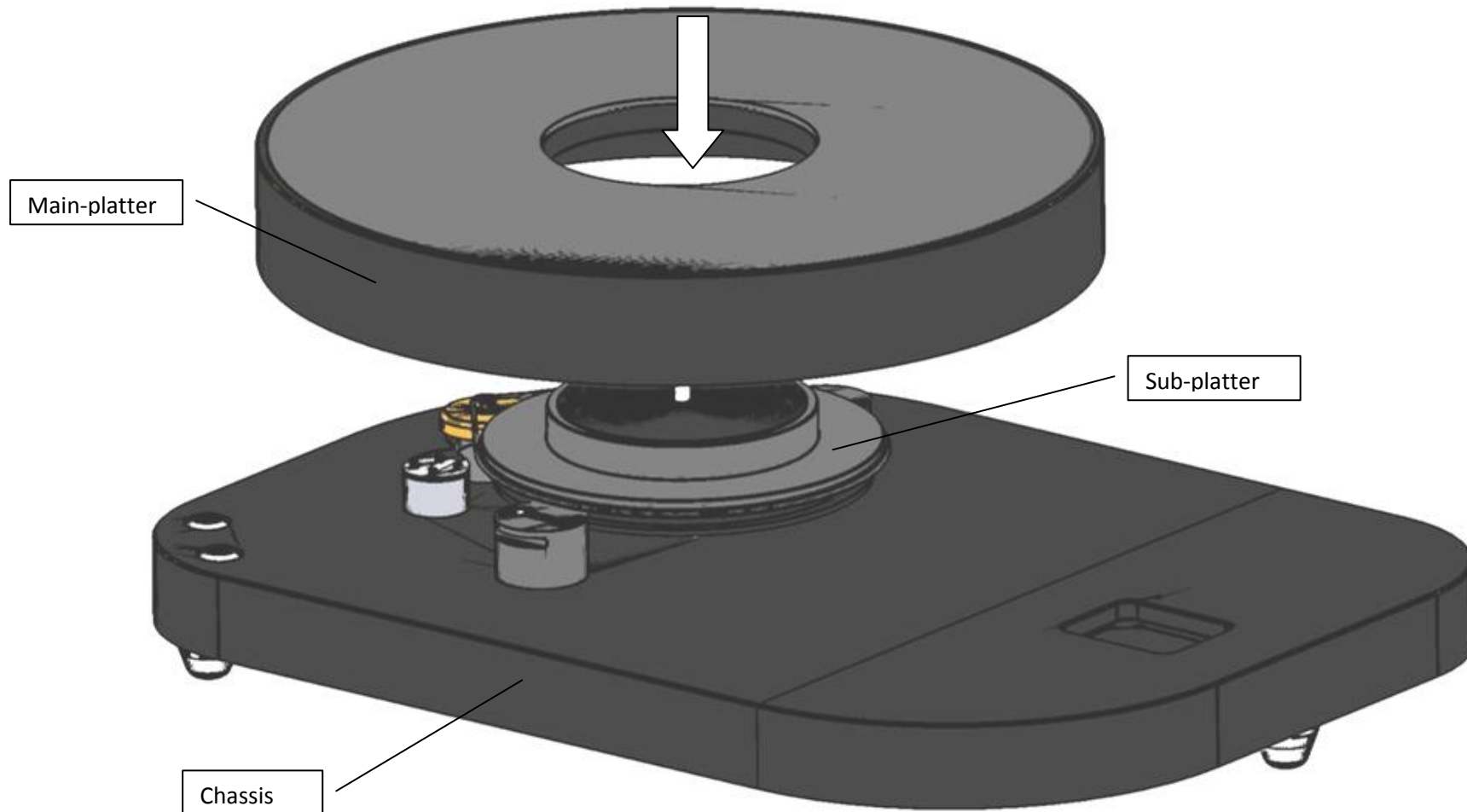
During transport, the bearing of the TTT is locked by the two lockers to prevent any damage to the bearing. For any transport, please make sure to re-lock the bearing. **Warning: never transport the TTT with the platter mounted, to prevent damage to the main bearing!**

- Please loose the four screws of the lockers, using the 5mm hexagon key.
- Take out the four screws completely.
- Turn the lockers 180° around their own axle. The center spindle will lower down around 1mm.
- Put the four screws in again.
- Tighten the four screws. Make shure the center spindle rund freely.



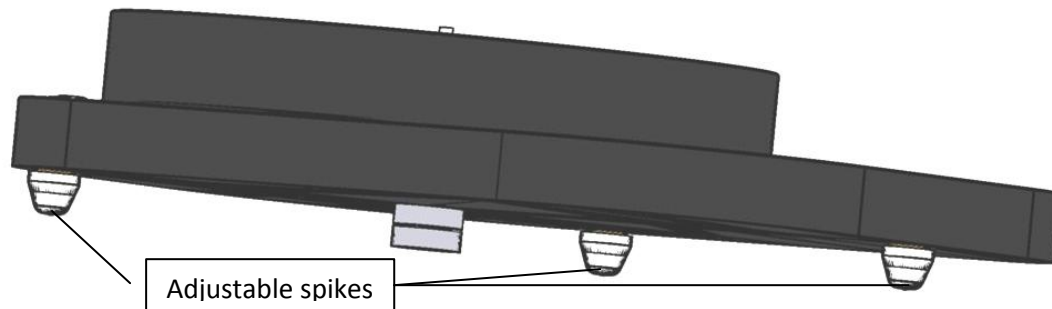
4. Install the platter

The main-platter is lying on the sub-platter. For installing, please move the main platter carefully and slowly on the sub-platter. Make sure to hold the main-platter absolutely lateral all the time. If the main-platter is properly installed, there is a gap of around 1mm between its lower surface and the chassis.



5. Set the level

The level of the TTT can be adjusted by turning the three adjustable spikes. Turn them clockwise to make the level higher. Please use the water-level to adjust the level correctly.



6. Install the tonearm

Take away the connection-terminal using the 1.3mm hexagon key. Guide the tonearm-wire thru the prepared channel and solder it to the connection-terminal. Re-install the connection-terminal. Set the tonearm according to its manual.

